

# P515 Flexi Driver Air-operated

PUB110

v.1 09/2020



## Operating Instructions

Select and insert PCL or Euro air-line connector. Wrap the white PTFE tape twice round the thread, screw in and tighten.

Set up an air supply from a compressor. The tube should have a matching PCL or Euro quick-release female fitting. Arrange the air hose so it does not create a trip hazard. Set air pressure regulator to 5 bar.

Before connecting the air-line, put a few drops of the oil from the bottle marked 'Machine' into the air inlet of the Flexi Driver. Keep the bottle safe and do the same about every two weeks, depending on usage.

Flexi Driver magazine capacity: 200 Flexis 15 x 4.5 x 0.40mm

Weight 0.95kg

Operating pressure range: 50 - 85psi, 3.5 - 6 Bar. Pressure must never exceed 110psi, 8 Bar

## Warnings

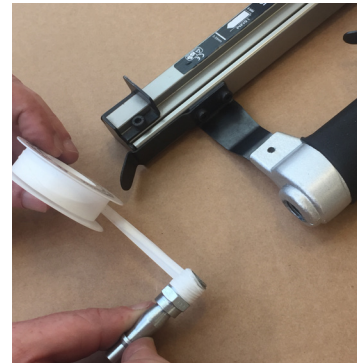
Wear safety glasses when using the Flexi Driver

Never point the Flexi Driver at yourself or any other person

Disconnect the air-line when not in use



P515 Flexi Driver inserts the flexis almost flat

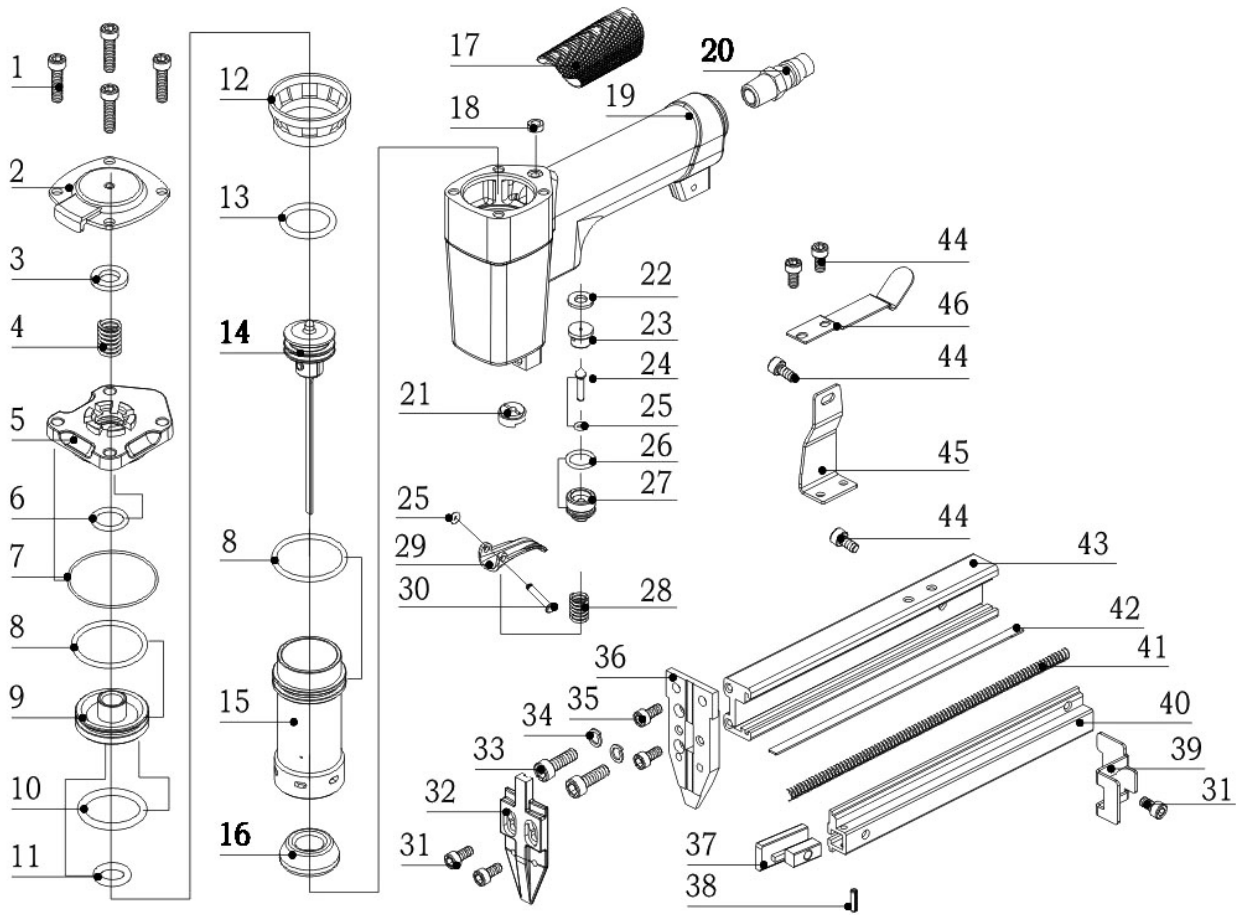


Always wrap white PTFE tape twice round the thread on the air-line connector before screwing it in



Lay the stick of flexis into the magazine, points down

# P515 Flexi Driver Air-operated



## Accessories

Euro connector, 36mm long **20**

PCL Connector, 51mm long **20**

Driver blade spare **14**

Bumper spare **16**

PTFE tape on roll

Air tool oil, in clear bottle

Hex keys, 3mm and 4mm



Certificate of CE Conformity 50146294 001

Issued by TUV Rheinland



lionpic.co.uk

06.20

## Flexi Driver P515 Parts List

No.	Description	Qty	No.	Description	Qty
1	Hex Bolt M5 x 20	4	24	Trigger Valve Stem	1
2	Exhaust Cover	1	25	O-Ring 1.2 x 1.9	2
3	Seal (18-10-2.5)	1	26	O-Ring 11.2 x 1.9	1
4	Compression Spring	1	27	Trigger Valve Cage	1
5	Cylinder Cap	1	28	Compression Spring	1
6	O-Ring 11.7 x 2.5	1	29	Trigger Body	1
7	O-Ring 32.6 x 1.2	1	30	Step Pin 3 x 14.8	1
8	O-Ring 26.2 x 2.5	2	31	Hex Bolt M4 x 6	3
9	Head Valve Piston	1	32	Driver Guide Cover	1
10	O-Ring 21.3 x 3	1	33	Hex Bolt M5 x 18	2
11	O-Ring 10 x 3.5	1	34	Spring Washer 5	2
12	Support Collar	1	35	Hex Bolt M4 x 14	2
13	O-Ring 17.3 x 3	1	36	Driver Guide	1
14	Driver	1	37	Nail Pusher	1
15	Cylinder	1	38	Spring Pin 3 x 12	1
16	Bumper	1	39	Magazine End Stopper	1
17	Handle Grip	1	40	Magazine	1
18	Seal (7.5-4.5-3)	1	41	Compression Spring	1
19	Body	1	42	Inlaid Strip	1
20	Air Connector	1	43	Fixed Magazine	1
21	Nozzle	1	44	Hex Bolt M4 x 8	4
22	Seal (12.5-7-1.8)	1	45	Tail Magazine Holder	1
23	Trigger Valve Head	1	46	Click Fixer	1